

# Diaphragm Seal Pressure Gauge (for High Temp.)

Model No. **SS-3040 Series**

**KINS**



**SS-3043/3044**

## Summary

This gauge is designed to be suitable in measuring high viscosity fluid pressure with room temperature and pressure measurement of an element which has high temperature melting condition.

### Safety Management

- Do not give impact during the transportation, installation and usage.
- Be sure to install pressure gauge to be horizontal and vertical.
- Use material of high temperature (0~330℃) and corrosive resistance.

### Purpose of Use

- Fluid of high viscosity, high temperature and high pressure.
- Injection Machine
- Chemical industry, etc.

### Production Specification

- ▶ **Diameter**
  - 100, 150 mm
- ▶ **Accuracy**
  - ±1.0% of Full Scale
- ▶ **Scale Range**
  - 5 ~ 70 MPa
  - (※ 1 MPa = 10,19716 kgf/cm<sup>2</sup>)
- ▶ **Working Pressure**
  - Static pressure : 75% of Full Scale
  - Fluctuating pressure : 60% of Full Scale
- ▶ **Working Temperature**
  - Ambient : - 20 ~ 330 ℃
  - Fluid : - 20 ~ 330 ℃

### Product Specification

#### + Case & Cover

- STS 304
- Slip-on-Fit

#### + Connection

- PF ↔ 3/4, 1"

#### + Window

- Tempered safety glass,
- Laminated safety glass

#### + Type

- 3043-Type (Direct type 18mm)
- 3044-Type (Direct type 23.6mm)
- 3047-Type (Flexible type 18mm)
- 3048-Type (Flexible type 23.6mm)

#### + Pointer

- Aluminum
- Black coating

#### + Dial

- Aluminum
- White color coating
- Black gradation and characters

#### + Movement

- STS 304

#### + Mounting Bolt

- SM45C(Heat treatment)

#### + Diaphragm

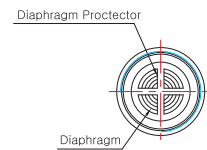
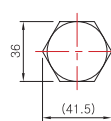
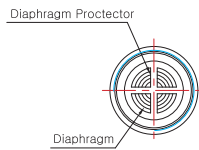
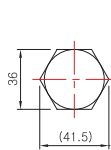
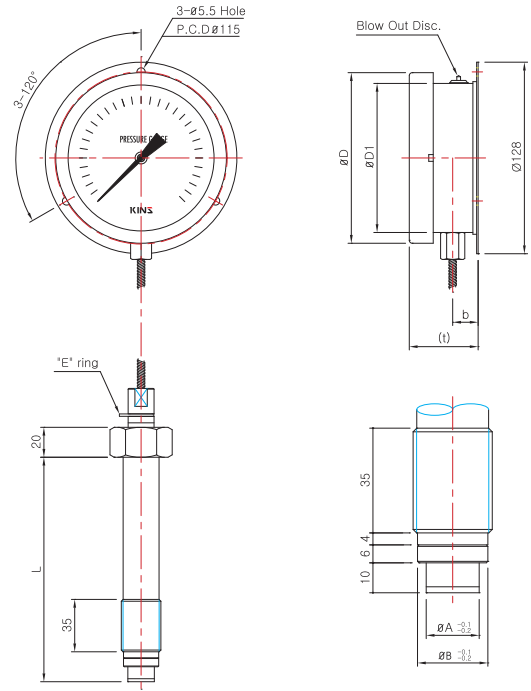
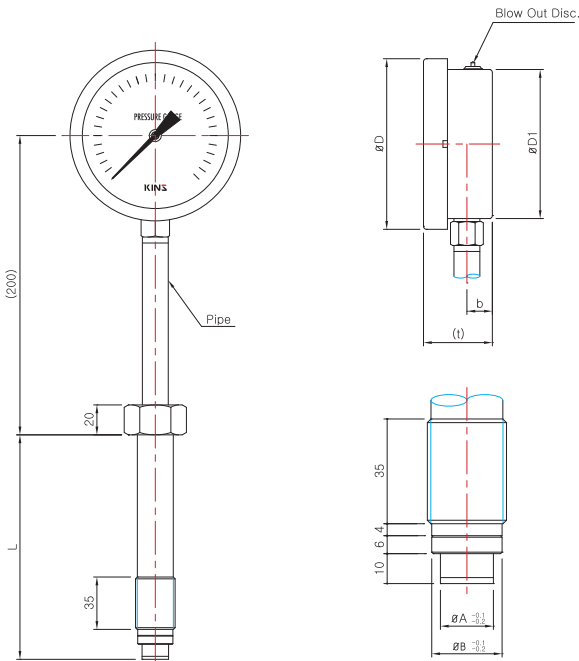
- STS 316

# Diaphragm Seal Pressure Gauge (for High Temp.)

Model No. **SS-3040 Series**

Model No. | **SS-3043/3044 (100mm)**  
A-Type (Rimless type), Direct Type

Model No. | **SS-3047/3048 (100mm)**  
B-Type (Surface type), Remote Type



## Dimensions (mm)

Model No.	Conn'n (d)	ØD	ØD1	b	t	ØA	ØB	L	Capillary Length
SS-3043	PF 3/4"	114	100	17	(46)	18	24	80, 150, 300	1M ~ 5M
SS-3044	PF 1"					23.6	30		
SS-3047	PF 3/4"					18	24		
SS-3048	PF 1"					23.6	30		

\*( )The measurement in the blanket is approximate.

Pressure Gauge

Differential Pressure Gauge & Switch

Accessories of Pressure Gauge

Thermometer & Thermometer Switch

Thermocouple & R.T.D

Thermowell

Transmitter

Indicator, etc.

Technical data